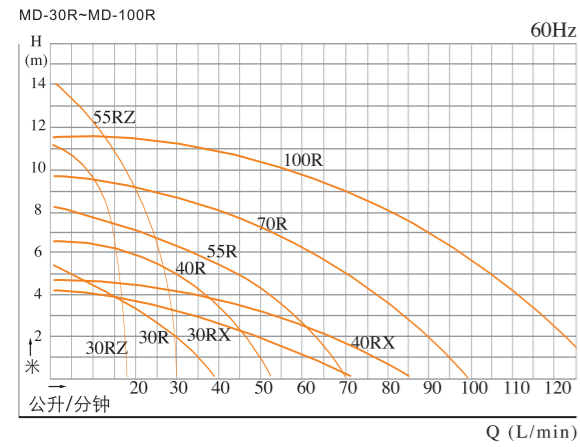


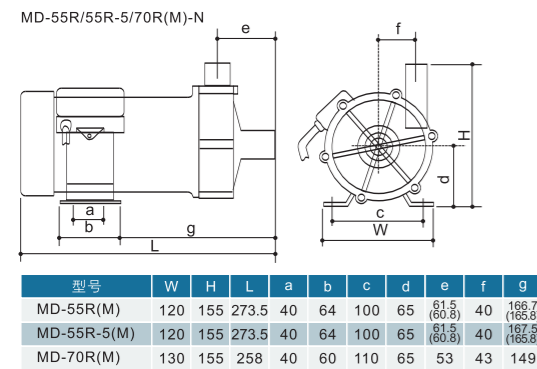
MAGNET PUMP

> PERFORMANCE CURVE



- Note:
- Under the condition of normal temperature and clean water, the head at the maximum capacity is 0; the capacity at the highest head is 0.
 - Operating voltage of single-phase motor is separated with 100V, 110V, 200V, 240V; operating voltage of three-phase motor is 380V.
 - Normal operating temperature is 0~80 °C. if the higher operating environments is required, please consult with us.

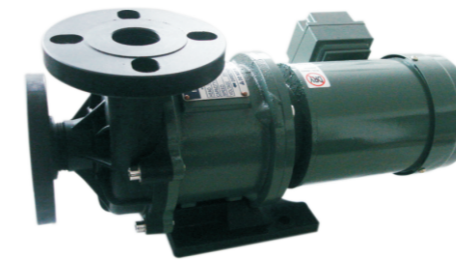
> DIMENSIONS



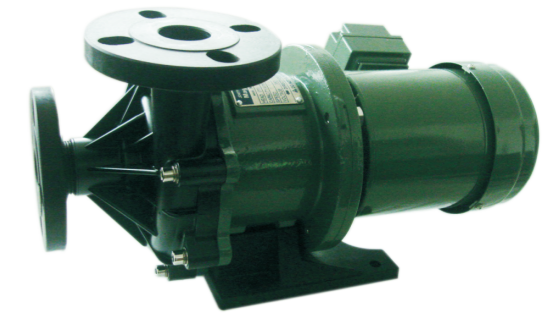
> SPEIFICATION

型号	Tube interface		Spiral interface		Max. Capacity L/min	Max. head m	Standard outlet m-L/min	Temperature	Specific weight	Motor		
	Inlet	Outlet	Outlet-inlet (inch)	Tube						Input W	Output W	Phase
MD-70R	26mm	26mm	G 1	20mm	86	6.7	4-50	0-80	1.0	150	265	1 or 3
MD-70R(M)	26mm	26mm	G 1	20mm	86	6.7	4-50	0-80	1.0	150	265	1 or 3
MD-70RZ	20mm	20mm	G 3/4	16mm	40	14.3	12-24	0-80	1.0	180	275	1 or 3
MD-100R	26mm	26mm	G 1	20mm	120	8.6	6.5-60	0-80	1.2	260	365	1 or 3
MD-100R(M)	26mm	26mm	G 1	20mm	120	8.6	6.5-60	0-80	1.2	260	365	1 or 3

型号	Tube interface		Outlet-inlet (inch)	Max. Capacity L/min	Max. head m	Standard outlet m-L/min	Temperature	Specific weight	Motor		
	Inlet	Outlet							Input W	Output W	Phase
MD-120R	40mm	40mm	G 1 1/2	150	8.5	20-100	0-80	1.2	270	370	1 or 3
MX-400	40mm	40mm	G 1 1/2	200	10.5	50-150	0-80	1.2	300	400	3



MD-400



MD-401



MD-402

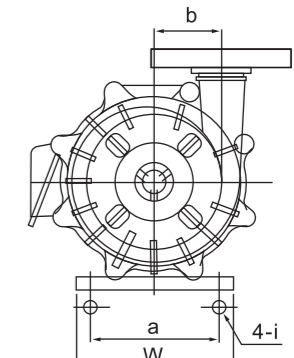
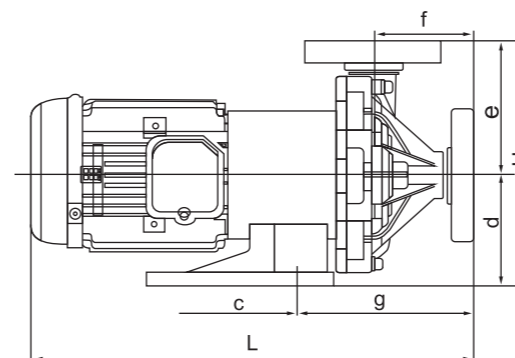


MD-403

> DIMENSIONS

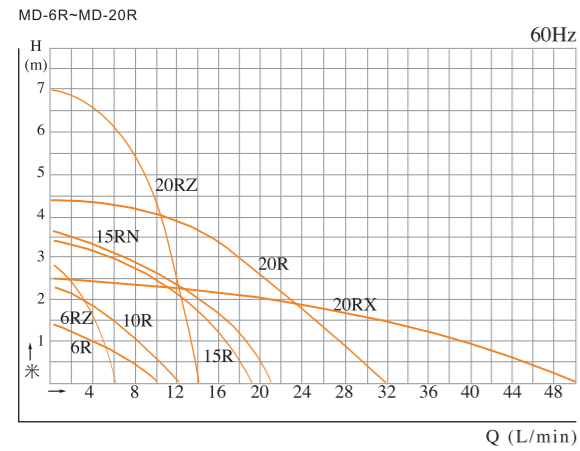
Type	W	H	L	a	b	c	d	e	f	g	i
MD-400	140	255	452	110	54	98	95	130	87	150	12
MD-401	160	255	479	130	75	130	115	140	103	184	12
MD-402(H)	260	280	516	208	80	200	120	160	89	157	14X36
MD-403(H)	260	280	516	208	80	200	120	160	89	157	14X36

Type	Tube interface		Max. Capacity L/min	Max. head m	Temperature	Specific weight	Motor	
	Inlet	Outlet					Output W	Phase
MD-400	40	40	100	10.5	0-80	1.2	400	3
MD-401	40	40	150	14.5	0-80	1.2	750	3
MD-402(H)	50	40	200	20	0-80	1.2	1500	3
MD-403(H)	50	40	250	23	0-80	1.2	2200	3

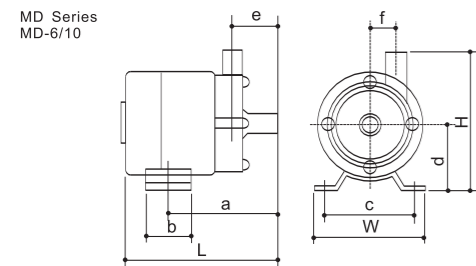


MAGNET PUMP

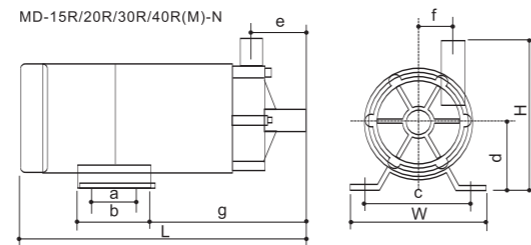
> PERFORMANCE CURVE



> DIMENSIONS



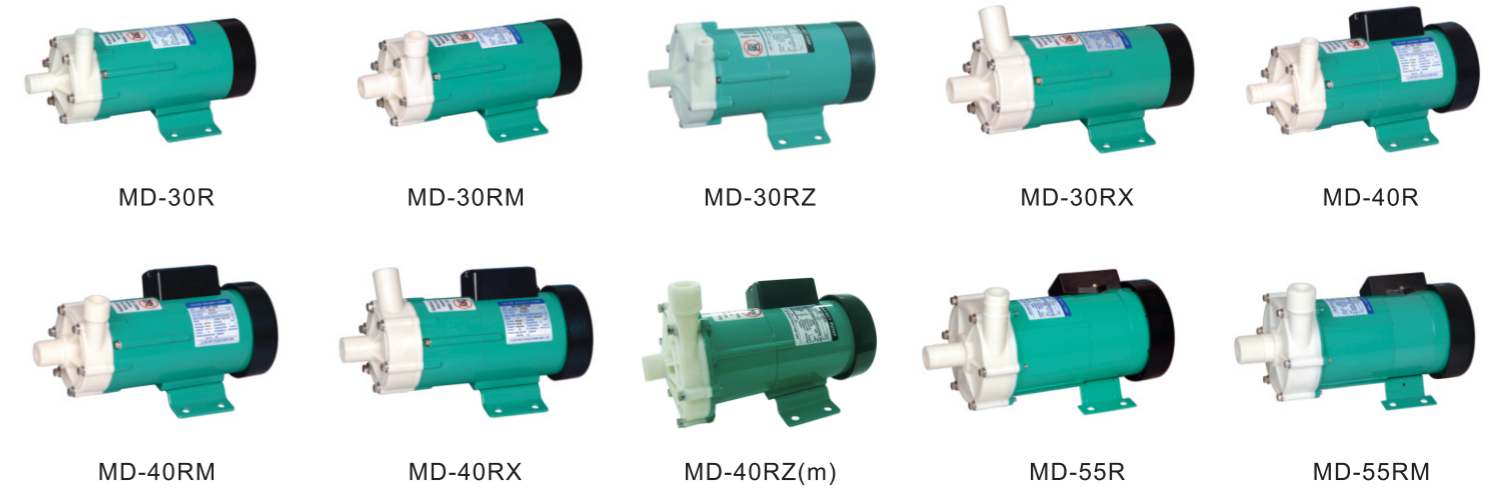
类型	W	H	L	a	b	c	d	e	f
MD-6	74	92	104	73	30	60	45	31	17
MD-10	74	92	104	73	30	60	45	31	17



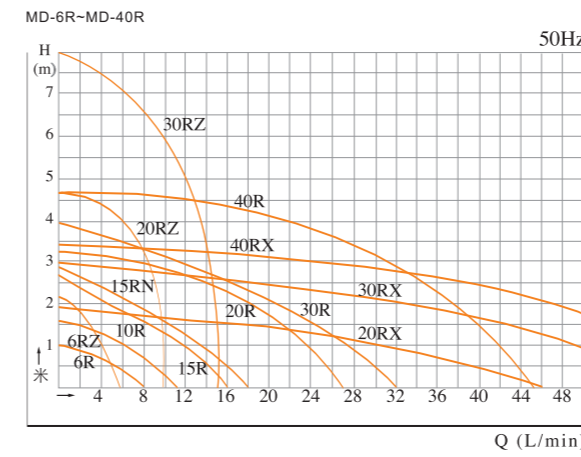
类型	W	H	L	a	b	c	d	e	f	g
MD-15R(M)-N	95	109 (114)	179.5 (179)	-	50	68	55	39 (38.5)	21.5	92
MD-20R(M)-N	120	106 (106.3)	208.5 (203)	40	64	100	60	38 (33)	28.5	93.5 (88)
MD-30R(M)-N	120	130	248	40	64	100	60	48	31	137
MD-40R(M)-N	120	130	250	40	64	100	60	48	31	137

> SPEIFICATION

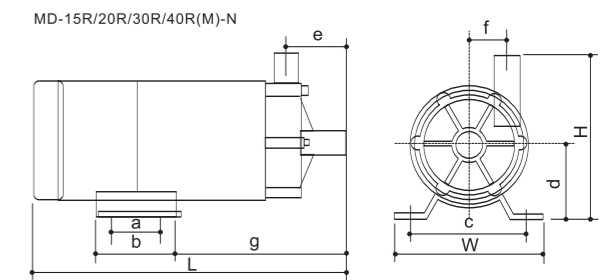
型号	Tube interface		Spiral interface		Max. Capacity L/min	Max. head m	Standard outlet m-L/min	Temperature °C	Specific weight	Motor		
	Inlet	Outlet	Outlet-inlet (inch)	Tube						Output W	Input W	Phase
MD-6	14mm	14mm	-	-	8	1	0.8-2.8	0-80	1.2	3	22	1
MD-6Z	14mm	14mm	-	-	5.5	2.1	1.5-3.2	0-80	1.1	3	24	1
MD-10	14mm	14mm	-	-	11	1.5	1-5	0-75	1.1	6	35	1
MD-15R	14mm	14mm	G 3/4	13mm	16	2.4	1.5-8	0-80	1.3	10	26	1
MD-20R	18mm	18mm	G 3/4	16mm	27	3.1	2-17	0-80	1.1	20	40	1
MD-20RX	26mm	26mm	G 1	20mm	46	1.8	1-30	0-80	1.3	20	40	1
MD-20RZ	18mm	18mm	G 3/4	13mm	10	4.9	4-6	0-80	1.1	20	40	1



> PERFORMANCE CURVE



> DIMENSIONS



型号	W	H	L	a	b	c	d	e	f	g
MD-15R(M)-N	95	109 (114)	179.5 (179)	-	50	68	55	39 (38.5)	21.5	92
MD-20R(M)-N	120	106 (106.3)	208.5 (203)	40	64	100	60	38 (33)	28.5	93.5 (88)
MD-30R(M)-N	120	130	248	40	64	100	60	48	31	137
MD-40R(M)-N	120	130	250	40	64	100	60	48	31	137

> SPEIFICATION

型号	Tube interface		Spiral interface		Max. Capacity L/min	Max. head m	Standard outlet m-L/min	Temperature °C	Specific weight	Motor		
	Inlet	Outlet	Outlet-inlet (inch)	Tube						Output W	Input W	Phase
MD-30R	20mm	20mm	G 3/4	16mm	32	3.8	2.5-16	0-80	1.3	45	60	1
MD-30R(M)	20mm	20mm	G 3/4	16mm	32	3.8	2.5-16	0-80	1.3	45	60	1
MD-30RX	26mm	26mm	G 1	20mm	62	2.9	2-32	0-75	1.1	45	70	1
MD-30RZ	18mm	18mm	G 3/4	13mm	15	8	6-10	0-80	1.0	45	70	1
MD-40R	20mm	20mm	G 3/4	16mm	45	4.6	4-22	0-80	1.1	65	90	1
MD-40R(M)	20mm	20mm	G 3/4	16mm	45	4.6	4-22	0-80	1.1	65	90	1
MD-40RX(m)	26mm	26mm	G 1	20mm	75	3.3	2-47	0-80	1.1	65	85	1
MD-40RZ	22mm	22mm	G 3/4	16mm	12	11.5	10-8	0-80	1.1	65	110	1
MD-55R	26mm	26mm	G 1	20mm	60	5.6	4-30	0-75	1.2	90	130	1
MD-55R(M)	26mm	26mm	G 1	20mm	60	5.6	4-30	0-80	1.2	90	130	1